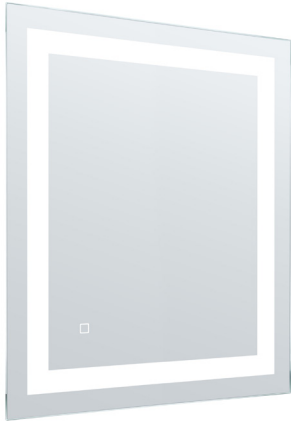


LMIR SERIES Indoor Lighting

LMIR-18-4842-MCT-DF
LED MIRRORS

WESTGATE
THE FUTURE IS HERE...AND IT'S QUITE BRIGHT!



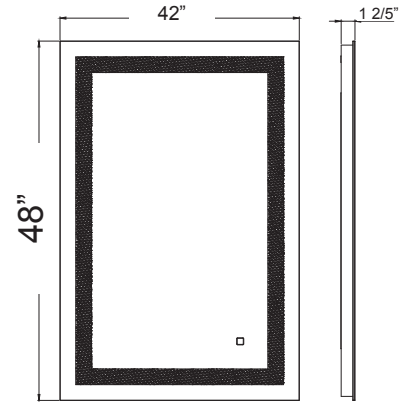
LED Mirrors And Cabinet Dimming With Defogger Feature Ideal for office, Retail Store, Showroom, Residential applications and Damp environment lighting applications.

Customer Name: _____

Project Name: _____

Note: _____

Type: _____



48"(H) x 42"(W) x 1 2/5"(H)

Features

- Frontlit (Bar Pattern)
- Touch Sensor Switch
- Finish: Aluminium Frame
- 5mm Copper Free Silver Mirror
- MCT: Brightness & CCT Touch Buttons Located on The Mirror

Technical Specifications

Electrical:

- Voltage: 120V AC 60Hz
- Wattage: 44W
- Power Factor: >0.95
- Total Harmonic Distortion: $\leq 20\%$
- Efficacy: 70 LPW

Lighting:

- Multi-CCT: Brightness & CCT Touch Buttons Located on The Mirror
- Color Temperatures: 3000K 4500K 6500K
- Color Rendering Index: CRI ≥ 90
- 50,000 Hours Rated Life

Mechanical:

- Finish: Aluminium Frame
- Frontlit (Bar Pattern)
- Touch Sensor Switch
- Demister Pad
- IP44, Indoor Use only
- Operating Temperature: -22°F to 104°F
- 5-Year Warranty

Applications:

- LED Mirrors And Cabinet Dimming With Defogger Feature Ideal for Office, Retail Store, Showroom, Residential Applications and Damp Environment Lighting Applications

• 39W | LMIR-36-2436-MCT-DF

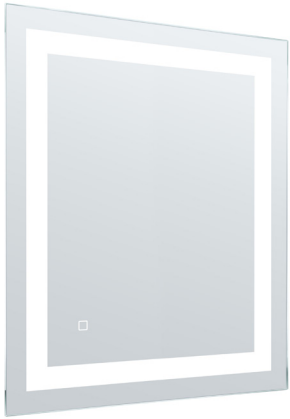


Phone: (877) 805-2252 | Fax: (877) 805-2252
www.westgatemfg.com |



WG-ZB-26-2Z

Other Views:



Side View



Front View



Mounted View

Performance Table: LMIR-18-4842-MCT-DF

MODEL NO.	Wattage	Voltage	Color Temp.
LMIR-18-4842-MCT-DF	44W	120V	3000K 4500K 6500K

Sample Ordering

Model Series No. Dimension Color Temp. Function

LMIR - 18 - 4842 - MCT - DF

Example:

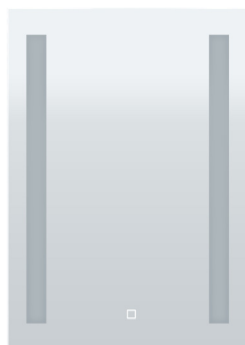
1. LMIR-18-4842-MCT-DF

(For LMIR 35W MCT fixture 120V)

Other Model: LMIR-36-2436-MCT-DF



Side View



Front View



Mounted View